



Mixed flow vertical jet roof units 180 to 560 mm diameter

Hotline:
01206 228 500

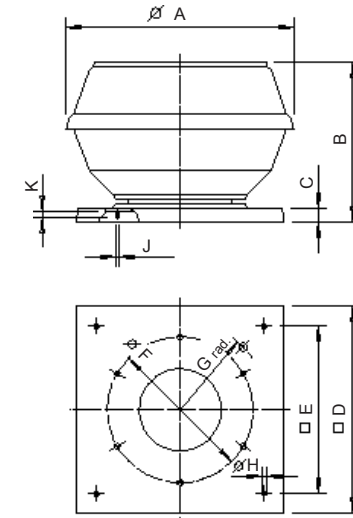


NEW



SPECIFICATION

- Casing**
Base plate and inlet cone galvanised steel. Cowl glass reinforced polyester.
- Impeller**
Mixed flow impeller in aluminium.
- Motor**
Direct drive TEFC motor out of airstream
- Motor protection**
All 1 ph. models are provided with thermal contacts (except as shown) and should be connected to a MW or MWS protection device. 3 ph. models must have phase protection in the power supply.
- Electrical connection**
In the isolator switch located on the cowl.
- Speed control**
The speed controllable models are shown with the matching speed controller as below.
- Installation**
Suitable for mounting on a horizontal up-stand only.
- Sound levels**
The sound levels given below are dB(A) sound pressure levels at on inlet at 4 metres.
- Protection**
Weatherproof to IP55.



ANCILLARIES

DIMENSIONS



Fan nominal code	Matching flange	Flanged flexible connector	Back draught shutter	Motorised back draught shutter	Purlin box	Base attenuator	Fan nominal code	Dimensions in mm									
								A	B	C	D	E	F	G	H	J	K
VD.. 180	FR 180	STS 180	DVS 180	-	FDS 180	SSD 180	VD.. 180	390	215	30	300	245	213	133	12	6xM6	9
VD.. 200	DFR 200	DSTS 200	DRVS 200	DRVM 200	FDS 200	SSD 200	VD.. 200	500	400	40	435	330	259	165	12	6xM6	9
VD.. 225	FR 225	STS 225	RVS 225	RVM 225	FDS 225	SSD 225	VD.. 225	550	445	40	435	330	259	165	12	6xM6	9
VD.. 250	FR 250	STS 250	RVS 250	RVM 250	FDS 250	SSD 250	VD.. 250	630	438	40	560	450	286	218	12	6xM6	10
VD.. 315	FR 315	STS 315	RVS 315	RVM 315	FDS 315	SSD 315	VD.. 315	700	487	40	560	450	356	227	12	8xM8	12
VD.. 400	FR 400	STS 400	RVS 400	RVM 400	FDS 400	SSD 400	VD.. 400	770	563	50	644	535	438	287	14	6xM8	12
VD.. 450	FR 450	STS 450	RVS 450	RVM 450	FDS 450	SSD 450	VD.. 450	900	642	50	710	590	487	317	14	6xM8	12
VD.. 500	FR 500	STS 500	RVS 500	RVM 500	FDS 500	SSD 500	VD.. 500	1060	709	50	917	750	541	430	14	6xM8	12
VD.. 560	FR 560	STS 560	RVS 560	RVM 560	FDS 560	SSD 560	VD.. 560	1200	801	50	917	750	605	430	14	8xM10	15



Mixed flow vertical jet roof units 180 to 560 mm diameter

Hotline:
01206 228 500



Single phase models 230 V / 1 ph. / 50 Hz

SELECTION DATA

Fan code	Speed	Volume flow m ³ /s against static pressure Pa.													Motor power	Current	Max. air flow temp.	Speed controller		Starter with overheat protection	Weight	Sound level @ 4 m
		rpm	0	50	100	150	200	250	300	350	400	450	500	550				600	kW			
VDW 180/2	2310	0.253	0.236	0.217	0.197	0.178	0.157	0.125	0.110	0.075					0.17	0.76	40	TSW 1.5	ESU 1/ESA 1	–	5.5	60
VDW 180/4	1300	0.136	0.097	0.047											0.04	0.18	40	TSW 0.3	ESU 1/ESA 1	–	5.5	45
VDW 200/2	2730	0.722	0.694	0.672	0.642	0.614	0.575	0.550	0.053	0.494	0.450	0.406	0.361	0.300	0.53	2.35	90	not controllable	–	without tc	12	67
VDW 200/4	1380	0.347	0.294	0.231	0.136										0.085	0.45	90	MWS 1.5	–	MW	11	51
VDW 200/6	940	0.235	0.164												0.06	0.3	90	MWS 1.5	–	MW	11	42
VDW 225/4	1320	0.500	0.456	0.408	0.317	0.194									0.15	0.77	90	MWS 1.5	–	MW	12.5	56
VDW 225/6	1175	0.326	0.236												0.07	0.34	90	MWS 1.5	–	MW	12.5	46
VDW 250/4	1320	0.778	0.728	0.664	0.586	0.500	0.369								0.23	1.06	90	MWS 1.5	–	MW	14.5	60
VDW 250/6	920	0.522	0.428	0.283											0.11	0.61	90	MWS 1.5	–	MW	16	49
VDW 315/4	1370	1.044	0.972	0.900	0.819	0.725	0.606	0.425	0.200						0.41	1.97	80	MWS 3	–	MW	18.5	63
VDW 315/6	890	0.708	0.600	0.458	0.175										0.15	0.85	80	MWS 1.5	–	MW	18.5	53
VDW 400/4	1350	1.458	0.139	1.294	1.222	1.097	0.978	0.850	0.700	0.528	0.306				0.89	4.28	75	not controllable	–	without tc	23	66
VDW 400/6	850	0.956	0.833	0.683	0.469	0.133									0.3	1.41	75	MWS 1.5	–	MW	21	57
VDW 450/6	880	1.486	1.361	1.208	1.035	0.792	0.422								0.52	2.55	65	MWS 3	–	MW	27	60

Three phase models 400 V / 3 ph. / 50 Hz

SELECTION DATA

Fan code	Speed	Volume flow m ³ /s against static pressure Pa.													Motor power	Current	Max. air flow temp.	Speed controller with motor protection	Starter with overheat protection	Weight	Sound level @ 4 m	
		rpm	0	50	100	150	200	250	300	350	400	450	500	550				600				kW
VDD 450/4	1430	2.222	2.139	2.067	1.986	1.875	1.769	1.65	1.500	1.354	1.150	0.925	0.472		1.62	2.72	65	not controllable		without tc	27	70
VDD 450/6*	910	1.486	1.361	1.208	1.035	0.792	0.422								0.45	1.15	65	RDS 2 ¹⁾		MD	28	60
VDD 500/4	1450	3.778	3.653	3.528	3.417	3.278	3.150	3.000	2.85	2.711	2.600	2.450	2.222	2.119	3.08	5.8	60	not controllable		without tc	51	75
VDD 500/6*	940	2.361	2.194	2.028	1.850	1.658	1.400	1.072	0.600						0.96	2.09	60	not controllable		without tc	39	65
VDD 500/8	720	1.736	1.611	1.389	1.083	0.544									0.47	1.9	60	not controllable		without tc	38	60
VDD 560/6*	920	3.667	3.528	3.361	3.194	2.944	2.700	2.350	2.000	1.550	1.050				1.89	4.03	60	not controllable		without tc	54	79
VDD 560/8	720	3.139	2.775	2.361	1.986	1.600	1.131	0.481							0.81	1.9	60	not controllable		without tc	51	70

* ATEX certified explosion proof models available ring 01206 228 500.

1) With motor overheat protection – requires 6 core cable to the fan.